

## AXIS M3905-R Dome Camera

For indoor surveillance onboard buses

This compact and discreet 2 MP onboard camera for indoor surveillance complies with transportation-industry regulations including fire-safety for buses. It can withstand vibrations and a wide range of temperatures. Additionally, with AXIS TP3826-E housing this dome camera can be mounted on the outside of a bus. Thanks to Lightfinder and Forensic WDR, it provides details even in challenging light conditions. With traffic light mode, it can distinguish the color of traffic lights in dark scenes. Optional M12 lenses are available to adjust field of view for customized monitoring purposes.

- > **Compact, rugged design**
- > **Indoor camera**
- > **88° Horizontal field of view**
- > **Lightfinder and Forensic WDR**
- > **Traffic Light mode**



# AXIS M3905-R Dome Camera

## Variants

AXIS M3905-R RJ45 3.6 mm  
AXIS M3905-R M12 3.6 mm  
AXIS M3905-R RJ45 2.8 mm  
AXIS M3905-R M12 2.8 mm

## Camera

### Image sensor

1/2.9" Progressive scan RGB CMOS  
Pixel size 2.8 µm

### Lens

**3.6 mm, F2.0 :**  
Horizontal field of view: 88°  
Vertical field of view: 47°  
Minimum focus distance: 0.3 m (1 ft)  
M12 mount, fixed iris  
**2.8 mm, F1.2 :**  
Horizontal field of view: 107°  
Vertical field of view: 56°  
Minimum focus distance: 0.3 m (1 ft)  
M12 mount, fixed iris  
See [Optional accessories](#) for exchangeable lenses

### Minimum illumination

**3.6 mm, F2.0 :**  
Color: 0.04 lux at 30 IRE F2.0  
Color: 0.13 lux at 50 IRE F2.0  
**2.8 mm, F1.2 :**  
Color: 0.02 lux at 30 IRE F1.2  
Color: 0.07 lux at 50 IRE F1.2

### Shutter speed

With WDR: 1/19000 s to 1/5 s  
No WDR: 1/17000 s to 1/5 s

### Camera adjustment

Pan: ±30°  
Tilt: 15-90°  
Rotation: ±175°

## System on chip (SoC)

### Model

S6LM55

### Memory

1024 MB RAM, 512 MB Flash

## Video

### Video compression

H.264 (MPEG-4 Part 10/AVC) Main and High Profiles  
H.265 (MPEG-H Part 2/HEVC) Main Profile  
Motion JPEG

### Resolution

**16:9:** 1920x1080 to 640x360  
**16:10:** 1280x800 to 640x400  
**4:3:** 1280x960 to 320x240

### Frame rate

H.264 and H.265: 25/30 fps (50/60 Hz) in all resolutions  
Motion JPEG: 15 fps (50/60 Hz) in all resolutions

### Video streaming

Up to 4 unique and configurable video streams<sup>1</sup>  
Multiple, individually configurable streams in H.264, H.265 and Motion JPEG  
Axis Zipstream technology in H.264 and H.265  
Controllable frame rate and bandwidth  
VBR/ABR/MBR H.264 and H.265  
Video streaming indicator

### WDR

Forensic WDR: Up to 120 dB depending on scene

### Noise reduction

Spatial filter (2D noise reduction)  
Temporal filter (3D noise reduction)

### Image settings

Compression, brightness, sharpness, contrast, white balance, Forensic WDR, exposure control, exposure zones, fine tuning of behavior at low light, rotation: 0°, 90°, 180°, 270° including Corridor Format, dynamic overlay, 32 individual polygonal privacy mask, mirroring of images  
Scene profiles: forensic, vivid, traffic overview

### Image processing

Axis Zipstream, Forensic WDR, Lightfinder

### Pan/Tilt/Zoom

Digital PTZ, preset positions, guard tour, control queue

1. We recommend a maximum of 3 unique video streams per camera or channel, for optimized user experience, network bandwidth, and storage utilization. A unique video stream can be served to many video clients in the network using multicast or unicast transport method via built-in stream reuse functionality.

## Network

### Network protocols

IPv4, IPv6 USGv6, HTTP, HTTPS<sup>2</sup>, HTTP/2, TLS<sup>2</sup>, QoS Layer 3 DiffServ, FTP, SFTP, CIFS/SMB, SMTP, mDNS (Bonjour), UPnP<sup>®</sup>, SNMP v1/v2c/v3 (MIB-II), DNS/DNSv6, DDNS, NTP, RTSP, RTP, SRTP, TCP, UDP, IGMPv1/v2/v3, RTCP, ICMP, DHCPv4/v6, ARP, SOCKS, SSH, LLDP, CDP, MQTT v3.1.1, Syslog, Link-Local address (ZeroConf)

## System integration

### Application Programming Interface

Open API for software integration, including VAPIX<sup>®</sup> and AXIS Camera Application Platform (ACAP); specifications at [axis.com/developer-community](https://axis.com/developer-community).  
One-click cloud connection  
ONVIF<sup>®</sup> Profile G, ONVIF<sup>®</sup> Profile M, ONVIF<sup>®</sup> Profile S and ONVIF<sup>®</sup> Profile T, specification at [onvif.org](https://onvif.org)

### Video management systems

Compatible with AXIS Camera Station Edge, AXIS Camera Station Pro, AXIS Camera Station 5, and video management software from Axis' partners available at [axis.com/vms](https://axis.com/vms).

### Onscreen controls

Video streaming indicator  
Wide dynamic range  
Privacy masks

### Event conditions

Device status: above operating temperature, above or below operating temperature, below operating temperature, IP address removed, network lost, new IP address, storage failure, system ready, within operating temperature  
Edge storage: recording ongoing, storage disruption  
I/O: manual trigger, virtual input  
MQTT subscribe  
Scheduled and recurring: scheduled event  
Video: average bitrate degradation, live stream open, tampering

### Event actions

Guard tours  
Upload images or video clips: FTP, HTTP, HTTPS, SFTP, email and network share  
Notification: HTTP, HTTPS, TCP and email  
Overlay text  
Preset positions  
Record video: SD card and network share  
SNMP trap messages  
WDR mode  
MQTT publish

### Built-in installation aids

Pixel counter

## Analytics

### Applications

#### Included

AXIS Video Motion Detection, active tampering alarm<sup>3</sup>

#### Supported

AXIS Fence Guard, AXIS Loitering Guard, AXIS Motion Guard  
Support for AXIS Camera Application Platform enabling installation of third-party applications, see [axis.com/acap](https://axis.com/acap)

## Approvals

### Product markings

CE, ECE, KC, RCM, UL/cUL, UKCA, VCCI, WEEE

### Supply chain

TAA compliant  
NDAA compliant

### EMC

EN 55032 Class A, EN 55035, EN 61000-6-1, EN 61000-6-2, ECE R10 rev.06 (E approval), EN 50498,  
**Australia/New Zealand:** RCM AS/NZS CISPR 32 Class A  
**Canada:** ICES-3(A)/NMB-3(A)  
**Japan:** VCCI Class A,  
**Korea:** KS C 9835, KS C 9832 Class A,  
**USA:** FCC Part 15 Subpart B Class A

### Safety

IEC/EN/UL 62368-1, CAN/CSA C22.2 No. 62368-1,  
UN ECE R118  
IS 13252

2. This product includes software developed by the OpenSSL Project for use in the OpenSSL Toolkit. ([openssl.org](https://openssl.org)), and cryptographic software written by Eric Young ([eay@cryptsoft.com](mailto:eay@cryptsoft.com)).

3. For detection of tampering attempts in static and non-crowded scenes.

## Environment

IEC/EN 60529 IP66, IEC/EN 60529 IP67,  
IEC/EN 62262 IK10,  
IEC 60721-3-5 Class 5M3 (vibration and shock),  
IEC 60068-2-1, IEC 60068-2-2, IEC 60068-2-27,  
IEC 60068-2-64, IEC 60068-2-78, IEC 60068-2-14

## Network

NIST SP500-267

## Cybersecurity

ETSI EN 303 645, BSI IT Security Label

## Cybersecurity

### Edge security

**Software:** Signed OS, brute force delay protection, digest authentication and OAuth 2.0 RFC6749 Client Credential Flow/OpenID Authorization Code Flow for centralized ADFS account management, password protection, AES-XTS-Plain64 256bit SD card encryption  
**Hardware:** Axis Edge Vault cybersecurity platform Secure element (CC EAL 6+), system-on-chip security (TEE), Axis device ID, secure keystore, signed video, secure boot, encrypted filesystem (AES-XTS-Plain64 256bit)

### Network security

IEEE 802.1x (EAP-TLS, PEAP-MSCHAPv2)<sup>4</sup>,  
IEEE 802.1AE (MACsec PSK/EAP-TLS), IEEE 802.1AR,  
HTTPS/HSTS<sup>4</sup>, TLS v1.2/v1.3<sup>4</sup>, Network Time Security  
(NTS), X.509 Certificate PKI, host-based firewall

## Documentation

AXIS Hardening Guide  
AXIS Vulnerability Management Policy  
AXIS Security Development Model  
AXIS OS Software Bill of Material (SBOM)  
To download documents, go to [axis.com/support/cybersecurity/resources](https://axis.com/support/cybersecurity/resources)  
To read more about Axis cybersecurity support, go to [axis.com/cybersecurity](https://axis.com/cybersecurity)

## General

### Casing

IP66/67- and IK10-rated aluminum and polycarbonate casing

### Mounting

Inside vehicles

## Power

Power over Ethernet (PoE) IEEE 802.3af/802.3at Type 1 Class 1  
Typical 2.2 W, max 3.8 W

## Connectors

RJ45: male, 10BASE-T/100BASE-TX  
M12: female, rugged, D-coded with rotatable coupling nut  
All connectors support PoE

## Storage

Support for microSD/microSDHC/microSDXC card with UHS Speed Class U1  
Support for recording to network-attached storage (NAS)  
For SD card and NAS recommendations see [axis.com](https://axis.com)

## Operating conditions

-30 °C to 55 °C (-22 °F to 131 °F)  
Maximum (intermittent): 70 °C (158 °F)  
Humidity: 10-100% RH (condensing)

## Storage conditions

-40 °C to 65 °C (-40 °F to 149 °F)

## Dimensions

Height: 50 mm (1.97 in), ø 110 mm (4.33 in)

## Weight

241 g (0.53 lb)

## Box content

Camera, Installation guide, Windows® decoder 1-user license, lens tool

## Optional accessories

### Lenses

Lens M12 2.1 mm, F2.2: horizontal field of view 145°  
Lens M12 2.8 mm, F1.2: horizontal field of view 107°  
Lens M12 3.6 mm, F2.0 : horizontal field of view 88°  
Lens M12 6 mm, F1.6: horizontal field of view 51°  
Lens M12 8 mm, F1.6: horizontal field of view 39°

### Other

AXIS T94D01S Mount Bracket,  
AXIS T94D02S Curved Mount Bracket,  
Network coupler IP66, Network cable coupler indoor,  
TM3101 Pendant Wall Mount, AXIS TP3826-E housing,  
TP3827 Clear Dome Cover, TP3830 Top Black Cover  
For more accessories, see [axis.com/products/axis-m3905-r#accessories](https://axis.com/products/axis-m3905-r#accessories)

4. This product includes software developed by the OpenSSL Project for use in the OpenSSL Toolkit. (openssl.org), and cryptographic software written by Eric Young (eay@cryptsoft.com).

## System tools

AXIS Site Designer, AXIS Device Manager, product selector, accessory selector, lens calculator  
Available at [axis.com](https://axis.com)

---

## Languages

English, German, French, Spanish, Italian, Russian, Simplified Chinese, Japanese, Korean, Portuguese, Polish, Traditional Chinese, Dutch, Czech, Swedish, Finnish, Turkish, Thai, Vietnamese

---

## Warranty

5-year warranty, see [axis.com/warranty](https://axis.com/warranty)

---

## Part numbers

Available at [axis.com/products/axis-m3905-r#part-numbers](https://axis.com/products/axis-m3905-r#part-numbers)

---

## Sustainability

### Substance control

PVC free, BFR/CFR free  
RoHS in accordance with EU RoHS Directive 2011/65/EU/ and EN 63000:2018  
REACH in accordance with (EC) No 1907/2006. For SCIP UUID, see [axis.com/partner](https://axis.com/partner).

---

### Materials

Recycled aluminum: 95%  
Screened for conflict minerals in accordance with OECD guidelines  
To read more about sustainability at Axis, go to [axis.com/about-axis/sustainability](https://axis.com/about-axis/sustainability)

---

### Environmental responsibility

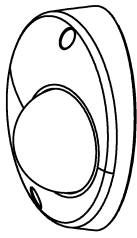
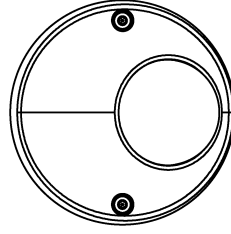
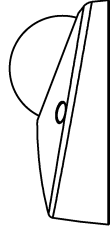
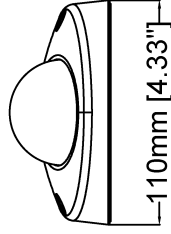
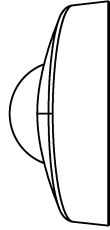
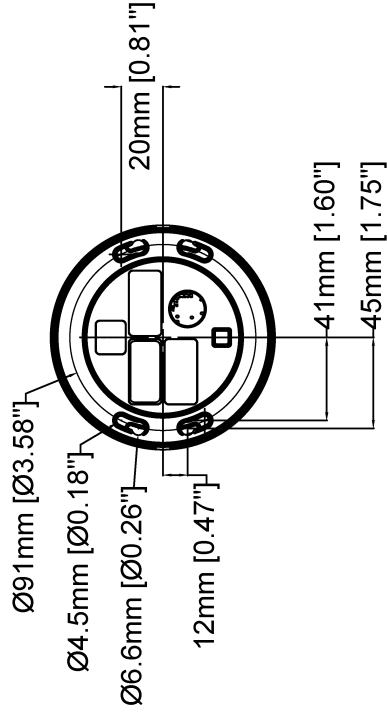
[axis.com/environmental-responsibility](https://axis.com/environmental-responsibility)  
Axis Communications is a signatory of the UN Global Compact, read more at [unglobalcompact.org](https://unglobalcompact.org)

## Detect, Observe, Recognize, Identify (DORI)

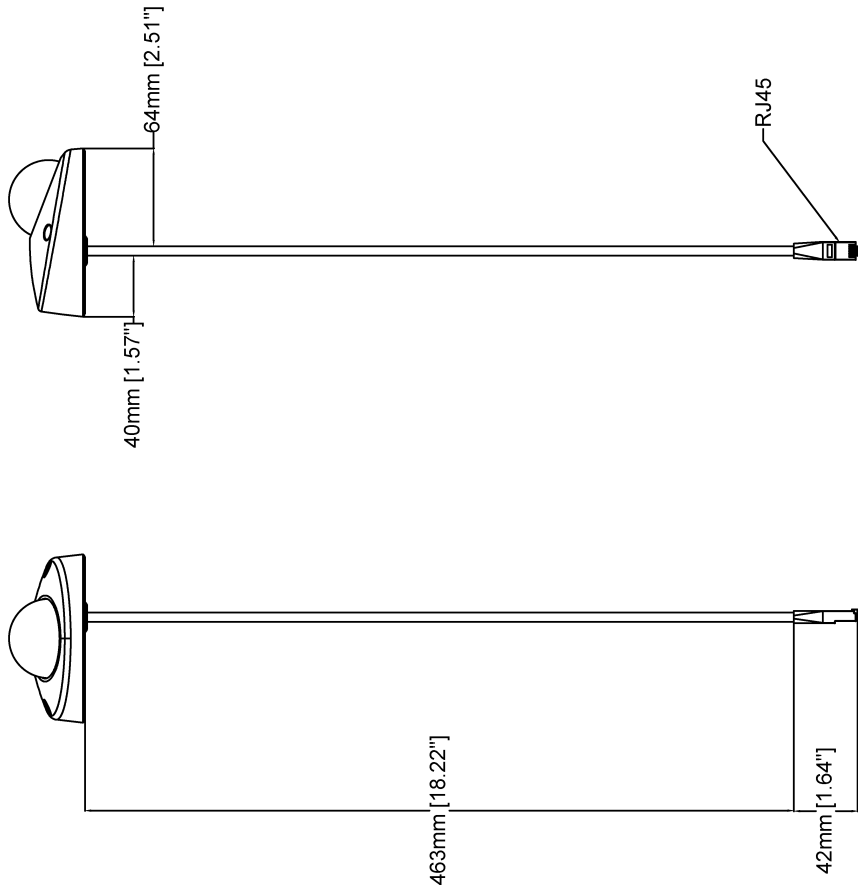
3.6 mm lens	DORI definition	Distance
Detect	25 px/m (8 px/ft)	50.6 m (166.0 ft)
Observe	63 px/m (19 px/ft)	20.1 m (65.9 ft)
Recognize	125 px/m (38 px/ft)	10.1 m (33.1 ft)
Identify	250 px/m (76 px/ft)	5.1 m (16.7 ft)

2.8 mm lens	DORI definition	Distance
Detect	25 px/m (8 px/ft)	21.1 m (69.2 ft)
Observe	63 px/m (19 px/ft)	7.4 m (24.3 ft)
Recognize	125 px/m (38 px/ft)	4.2 m (13.8 ft)
Identify	250 px/m (76 px/ft)	2.1 m (6.9 ft)

Axis calculates the DORI values using pixel densities for different use cases as recommended by the EN-62676-4 standard. The calculations use the center of the image as the reference point and consider lens distortion. The possibility to recognize or identify a person or object depends on factors such as object motion, video compression, lighting conditions, and camera focus. Use margins when planning. The pixel density varies across the image, and the calculated values can differ from the distances in the real world.

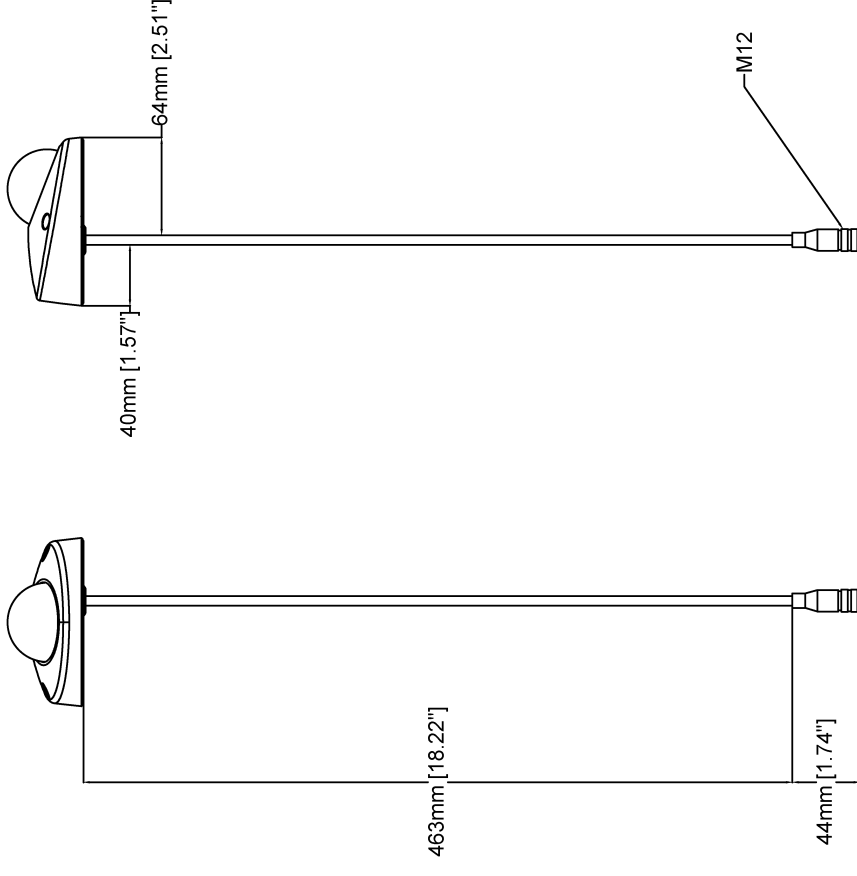


Revision	v.01	Revision date	2022-12-14
Paper size	A4	Release date	2022-12-14
Created by	MS	Scale	1:3



Revision	v.01	Revision date	2022-12-14
Paper size	A4	Release date	2022-12-14
Created by	MS	Scale	1:4





# AXIS M3905-R Dome Camera

Revision	v.01	Revision date	2022-12-14
Paper size	A4	Release date	2022-12-14
Created by	MS	Scale	1:4

www.axis.com

© 2022 Axis Communications

## Highlighted capabilities

### Axis Edge Vault

Axis Edge Vault is the hardware-based cybersecurity platform that safeguards the Axis device. It forms the foundation that all secure operations depend on and offer features to protect the device's identity, safeguard its integrity and protect sensitive information from unauthorized access. For instance, **secure boot** ensures that a device can boot only with **signed OS**, which prevents physical supply chain tampering. With signed OS, the device is also able to validate new device software before accepting to install it. And the **secure keystore** is the critical building-block for protecting cryptographic information used for secure communication (IEEE 802.1X, HTTPS, Axis device ID, access control keys etc.) against malicious extraction in the event of a security breach. The secure keystore and secure connections are provided through a Common Criteria or FIPS 140 certified hardware-based cryptographic computing module.

Furthermore, signed video ensures that video evidence can be verified as untampered. Each camera uses its unique video signing key, which is securely stored in the secure keystore, to add a signature into the video stream allowing video to be traced back to the Axis camera from where it originated.

To read more about Axis Edge Vault, go to [axis.com/solutions/edge-vault](https://axis.com/solutions/edge-vault).

### Zipstream

The Axis Zipstream technology preserves all the important forensic in the video stream while lowering bandwidth and storage requirements by an average of 50%. Zipstream also includes three intelligent algorithms, which ensure that relevant forensic information is identified, recorded, and sent in full resolution and frame rate.

### Forensic WDR

Axis cameras with wide dynamic range (WDR) technology make the difference between seeing important forensic details clearly and seeing nothing but a blur in challenging light conditions. The difference between the darkest and the brightest spots can spell trouble for image usability and clarity. Forensic WDR effectively reduces visible noise and artifacts to deliver video tuned for maximal forensic usability.

### Lightfinder

The Axis Lightfinder technology delivers high-resolution, full-color video with a minimum of motion blur even in near darkness. Because it strips away noise, Lightfinder makes dark areas in a scene visible and captures details in very low light. Cameras with Lightfinder discern color in low light better than the human eye. In surveillance,

color may be the critical factor to identify a person, an object, or a vehicle.

For more information, see [axis.com/glossary](https://axis.com/glossary)